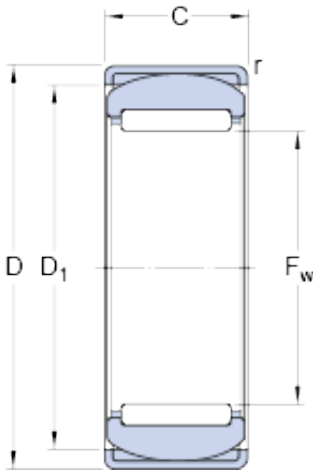




GQ (Xiamen) Bearing Co., Ltd.



RPNA 15/28 Bearing 2D drawings and 3D CAD models

SKF RPNA 15/28 cylindrical roller bearings

Bearing No. RPNA 15/28

Size	28x15x12 mm
Bore Diameter	28 mm
Outer Diameter	15 mm
Width	12 mm
F_w	15 mm
D	28 mm
C	12 mm
D_1	24.5 mm
r - min.	0.8 mm
D_a - min.	23.5 mm
D_a - max.	24.5 mm
r_a - max.	0.8 mm
Basic dynamic load rating - C	7.4 kN
Basic static load rating - C_0	9.2 kN
Fatigue load limit - P_u	1.1 kN
Reference speed	24000 r/min
Limiting speed	28000 r/min
Category	Bearings
Inventory	0.0
Manufacturer Name	SKF
Minimum Buy Quantity	N/A
Weight / Kilogram	0.032
Product Group	B04144
F_w	15 mm
D_1	24.5 mm



GQ (Xiamen) Bearing Co., Ltd.

r min.	0.8 mm
D _a min.	23.5 mm
D _a max.	24.5 mm
r _a max.	0.8 mm
Basic dynamic load rating C	7.37 kN
Basic static load rating C ₀	9.15 kN
Fatigue load limit P _u	1.08 kN
Mass bearing	0.032 kg