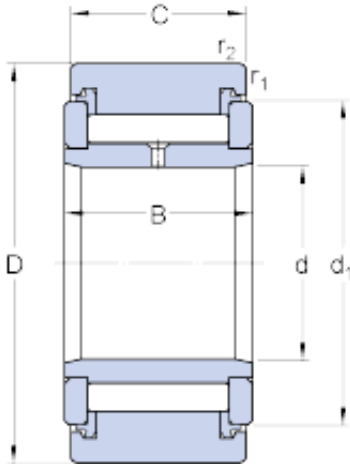




## GQ (Xiamen) Bearing Co., Ltd.



### 30 mm x 62 mm x 29 mm SKF NATV 30 PPXA cylindrical roller bearings

Bearing No. NATV 30 PPXA

NATV 30 PPXA Bearing 2D drawings and 3D CAD models

Size	30x62x28 mm
Bore Diameter	30 mm
Outer Diameter	62 mm
Width	28 mm
D	62 mm
d	30 mm
C	28 mm
B	29 mm
d <sub>1</sub>	51 mm
r <sub>1,2</sub> - min.	1 mm
Basic dynamic load rating - C	29.2 kN
Basic static load rating - C <sub>0</sub>	62 kN
Fatigue load limit - P <sub>u</sub>	7.6 kN
Maximum static radial loads - F <sub>r</sub>	34.5 kN
Maximum static radial loads - F <sub>or</sub>	49 kN
Limiting speed	1400 r/min
Category	Cam Follower and Track Roller - Yoke Type
Inventory	0.0
Manufacturer Name	SKF
Minimum Buy Quantity	N/A
Weight / Kilogram	0.479
EAN	7316571594415



## GQ (Xiamen) Bearing Co., Ltd.

Product Group	B04144
Roller Surface Profile	Flat
Profile	Yoke Type
Enclosure	Sealed
Rolling Element	Needle Bearing
Relubricatable	Yes
Inch - Metric	Metric
Other Features	Full Complement   With Flanged Inner Ring   3 Stage Sealing
Long Description	30MM Bore; 62MM Roller Diameter; 28MM Roller Width; Flat Roller; Yoke Type; Sealed; Needle Bearing; Relubricatable
Category	Cam Followers Yoke Type
UNSPSC	31171530
Harmonized Tariff Code	8482.40.00.00
Noun	Bearing
Keyword String	Cam Follower
Manufacturer URL	<a href="http://www.skf.com">http://www.skf.com</a>
Manufacturer Item Number	NATV 30 PPXA
Weight / LBS	1.058
Roller Width	1.102 Inch   28 Millimeter
Roller Diameter	2.441 Inch   62 Millimeter
Bore	1.181 Inch   30 Millimeter
roller diameter:	62 mm
radial static load capacity:	49 kN
roller width:	29 mm
roller material:	Chrome Steel
bore diameter:	30 mm
maximum rpm:	1400 RPM
roller shape:	Crowned
lubrication hole location:	Inner Ring



## GQ (Xiamen) Bearing Co., Ltd.

bearing element:	Needle Rollers
axial dynamic load capacity:	29.2 kN
closure type:	Sealed
axial static load capacity:	62 kN
operating temperature range:	-30 to +100 ° C
standards met:	ANSI/ABMA Standard 18.1, ISO 7063
radial dynamic load capacity:	34.5 kN
$d_1$	51 mm
$r_{1,2}$ min.	1 mm
Basic dynamic load rating C	29.2 kN
Basic static load rating $C_0$	62 kN
Fatigue load limit $P_u$	7.65 kN
Maximum dynamic radial loads $F_r$ max.	34.5 kN
Maximum static radial loads $F_{0r}$ max.	49 kN
Mass support roller	0.47 kg