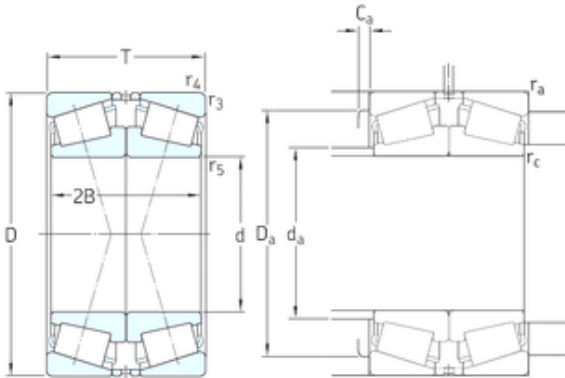




## GQ (Xiamen) Bearing Co., Ltd.

200 mm x 360 mm x 58 mm SKF  
30240J2/DFC570 tapered roller bearings

Bearing No. 30240J2/DFC570



30240J2/DFC570 Bearing 2D drawings and 3D CAD models

Size	200x360x128 mm
Bore Diameter	200 mm
Outer Diameter	360 mm
Width	128 mm
d	200 mm
D	360 mm
T	128 mm
B	58 mm
r3 min.	4 mm
r4 min.	4 mm
r5 min.	1,5 mm
2B	116 mm
Ca max.	9 mm
da max	237 mm
Da min	315 mm
Da max.	343 mm
ra max.	3 mm
rc max.	1,5 mm
Weight	52 Kg
Basic dynamic load rating (C)	1340 kN
Basic static load rating (C0)	2240 kN
Fatigue load limit (Pu)	212
Reference speed	1000 r/min
Limiting speed	1700 r/min
Calculation factor (e)	0,43



## GQ (Xiamen) Bearing Co., Ltd.

Calculation factor (Y0)	1,6
Calculation factor (Y1)	1,6